

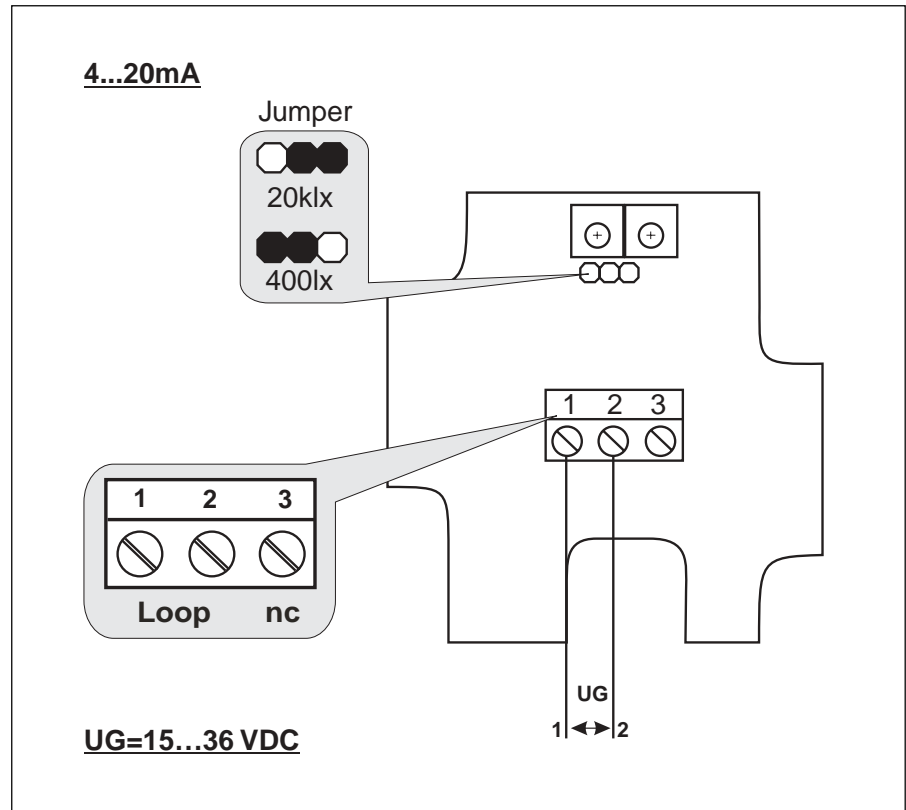


## WIRING

The transmitter will operate even if the cable connections at 1 and 2 are reversed.

Cable: 0,2-1,5 mm<sup>2</sup>.

**Note!** Avoid contact with the sensor terminals if the connection wires are live.



## ADJUSTMENT

The unit is supplied ready calibrated with a specified range and precision.

No further calibration is normally required.

Trademarks and registered trademarks are the property of their respective owners.

TAC Vista®, TAC Menta®, TAC Xenta® and TAC I-talk® are registered trademarks of TAC AB. LonMark® and LonWorks® are registered trademarks of the Echelon Corporation. Windows® is a registered trademark of Microsoft.

[www.tac.com](http://www.tac.com)